

Fire-Storm® IMB Features

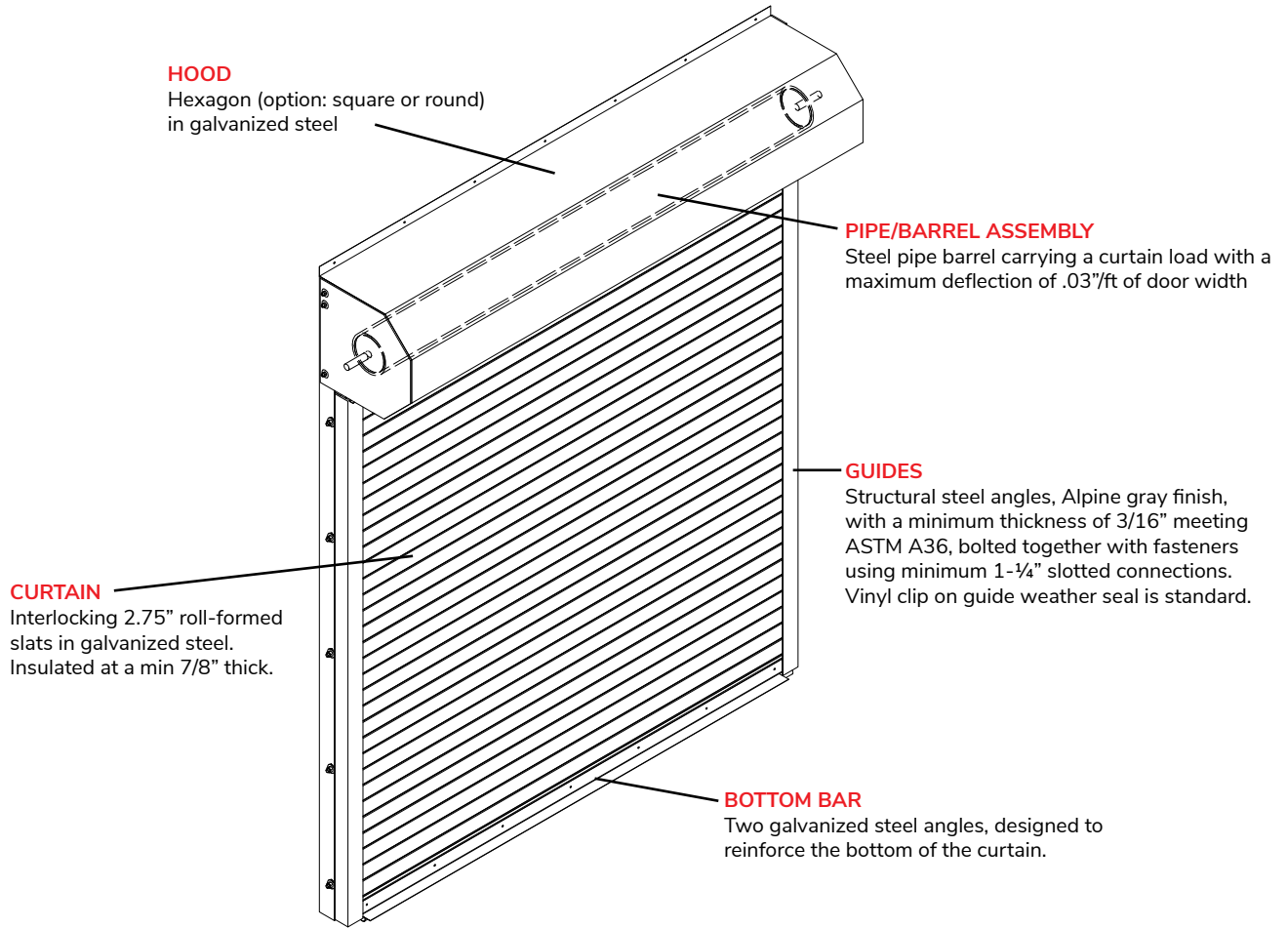
- Insulated Metal Back (IMB) curtain
- Crossbred fire & storm protection
- Built in accordance with the requirements specified by U.L.
- Our hurricane fire shutter is Dade County approved for high wind loads up to 187 mph



Alpine's Fire-Storm® IMB Doors are widely used where there is a high level of storms, gusty wind conditions and the need for a fire rating and insulation. Ideal for storm shelters, schools, office buildings, emergency call centers, police stations, post offices or anywhere that may be subject to intense storms. These doors protect both people and property from injury due to flying debris.

Functional Benefits

- Alpine's Fire-Storm® Doors are fusible-link activated with the option to add release devices for alarm integration
- Constructed of interlocking flat slats 7/8" thick, roll-formed galvanized steel with mineral wool insulation
- Design pressure of +60 psf & -60 psf, 1.5 Safety factor, 90+/- psf
- Doors can be manually hand-crank, hand-chain or motor operated
- Air infiltration – manufactured to meet 2015. IECC®, ASHRAE®90.1 and California's Title 24, tested independently to meet 0.3 CFM/FT



Operational Requirements

- Choice of hand chain, removable awning type crank, or motor operation

Optional Materials and Finishes

- Material Options: Stainless Steel
- Finish Options: Tan, White or Grey; or ExoShield™ Powder Coating.

Product Selection Guide

More Economical



Better Performance

